

KRUSE VILLAGE

4811-4871 MEADOWS ROAD, LAKE OSWEGO, OR



NOW LEASING IN LAKE OSWEGO, OREGON

Designed for busy successful urban professionals and families, Kruse Village is located at the key intersection of Kruse Way and Carman Dr in the prosperous Lake Oswego trade area. This retail and restaurant service hub spans five acres and 62,000 SF in six buildings. Kruse Village includes more than 250 parking spaces and easy access to I-5 as well as the surrounding neighborhood.

Kruse Way has a high concentration of finance, insurance, real estate and professional services as well as more than 2.3 million SF of office space (which is the largest concentration of office space outside of Downtown Portland). There are over 7,000 employees within walking distance of the site.

AVAILABLE SPACE

Retail/Office:

- 1,049 SF
- 1,156 SF

ANNOUNCING!



George Macoubray
503 504 2957
gmacoubray@naielliott.com

Nick Stanton
503 784 0407
nstanton@naielliott.com

Emmy Johnston
503 867 4861
ejohnston@naielliott.com



Bob LeFeber
503 274 0211
bob@cra-nw.com

KRUSE VILLAGE

4811-4871 MEADOWS ROAD, LAKE OSWEGO, OR



PROJECT DETAILS



PROPERTY HIGHLIGHTS

- Located in the Kruse Way trade area.
- High density employment and strong demographics.
- Excellent co-tenancy.
- Call for pricing.

TENANTS INCLUDE



DEMOGRAPHICS (2022)

RADIUS	1 MILE	2 MILE	3 MILE
Population	13,803	41,010	97,988
Avg. Household Income	\$148,645	\$157,435	\$139,765
Estimated Employees	13,562	48,566	76,087

TRAFFIC COUNTS (2022)

LOCATION	ADT
Kruse Way	20,463
Carman Drive	9,998
Meadows Road	3,220



George Macoubray
503 504 2957
gmacoubray@naielliott.com

Nick Stanton
503 784 0407
nstanton@naielliott.com

Emmy Johnston
503 867 4861
ejohnston@naielliott.com



Bob LeFeber
503 274 0211
bob@cra-nw.com

The information herein has been obtained from sources we deem reliable. We do not, however, guarantee its accuracy. All information should be verified prior to purchase/leasing. View the Real Estate Agency Pamphlet by visiting our website, www.naielliott.com/agencydisclosures.

KRUSE VILLAGE

4811-4871 MEADOWS ROAD, LAKE OSWEGO, OR



SITE IMAGES



George Macoubray
503 504 2957
gmacoubray@naielliott.com

Nick Stanton
503 784 0407
nstanton@naielliott.com

Emmy Johnston
503 867 4861
ejohnston@naielliott.com



Bob LeFeber
503 274 0211
bob@cra-nw.com

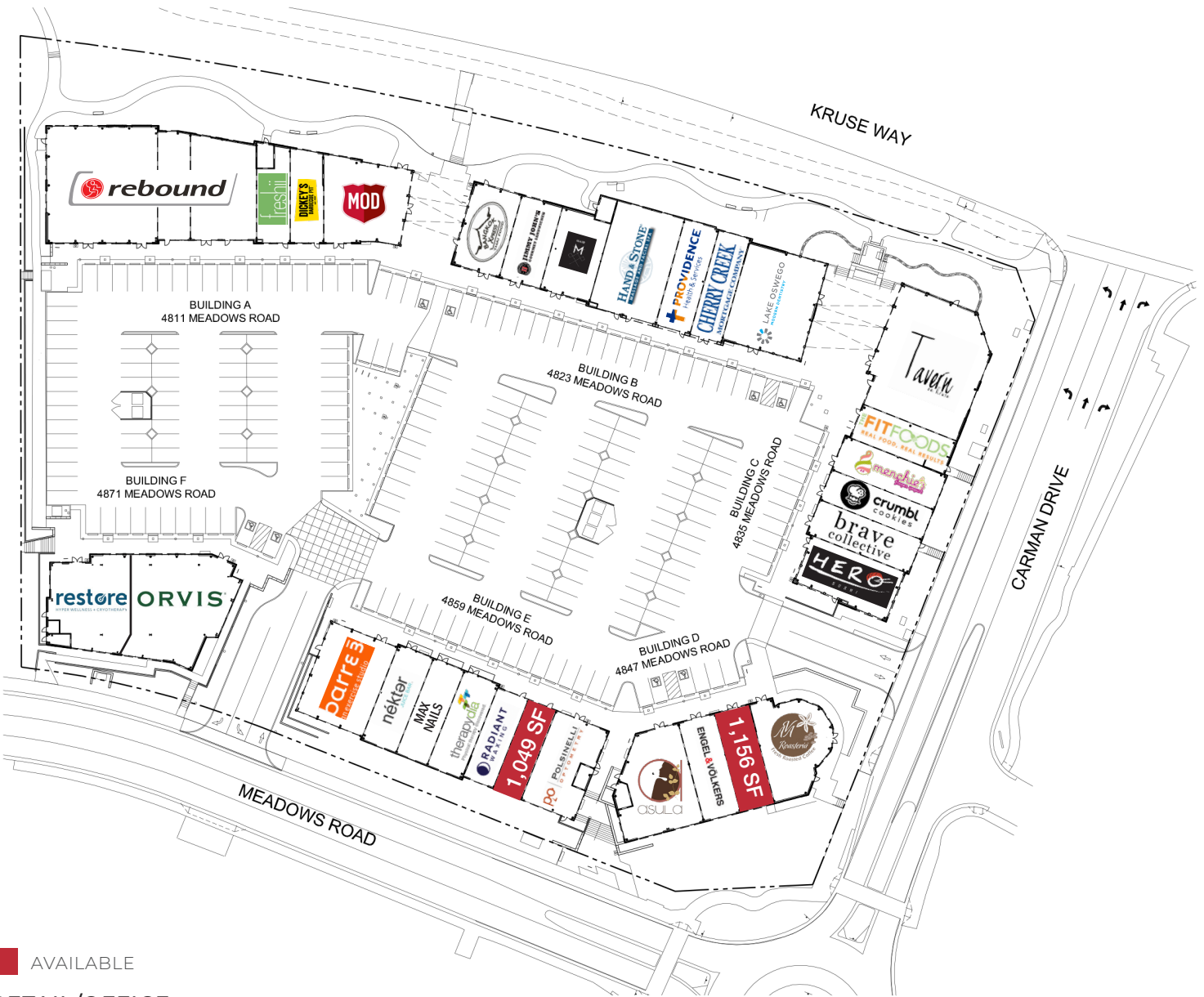
The information herein has been obtained from sources we deem reliable. We do not, however, guarantee its accuracy. All information should be verified prior to purchase/leasing. View the Real Estate Agency Pamphlet by visiting our website, www.naielliott.com/agencydisclosures.

KRUSE VILLAGE

4811-4871 MEADOWS ROAD, LAKE OSWEGO, OR



SITE PLAN



■ AVAILABLE

RETAIL/OFFICE:

1,049 SF AVAILABLE

1,156 SF AVAILABLE



George Macoubray
503 504 2957
gmacoubray@naielliott.com

Nick Stanton
503 784 0407
nstanton@naielliott.com

Emmy Johnston
503 867 4861
ejohnston@naielliott.com



Bob LeFeber
503 274 0211
bob@cra-nw.com

The information herein has been obtained from sources we deem reliable. We do not, however, guarantee its accuracy. All information should be verified prior to purchase/leasing. View the Real Estate Agency Pamphlet by visiting our website, www.naielliott.com/agencydisclosures.

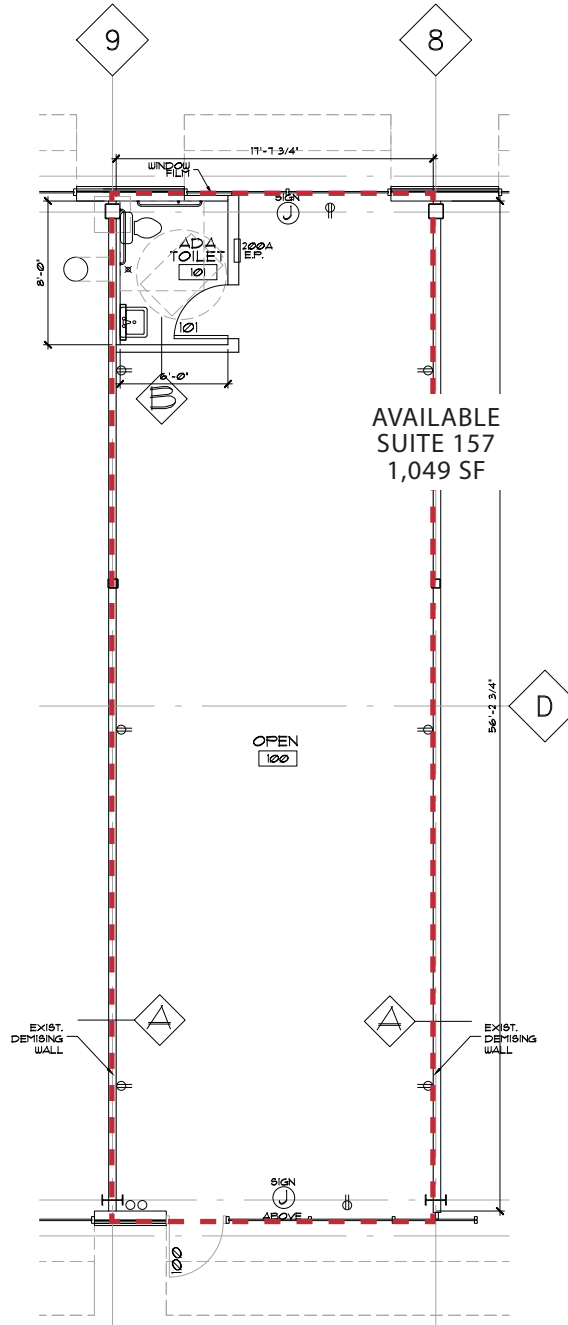
KRUSE VILLAGE

4811-4871 MEADOWS ROAD, LAKE OSWEGO, OR



LEASING PLAN

RETAIL/OFFICE
SUITE 157
1,049 SF AVAILABLE



George Macoubray
503 504 2957
gmacoubray@naielliott.com

Nick Stanton
503 784 0407
nstanton@naielliott.com

Emmy Johnston
503 867 4861
ejohnston@naielliott.com



Bob LeFeber
503 274 0211
bob@cra-nw.com

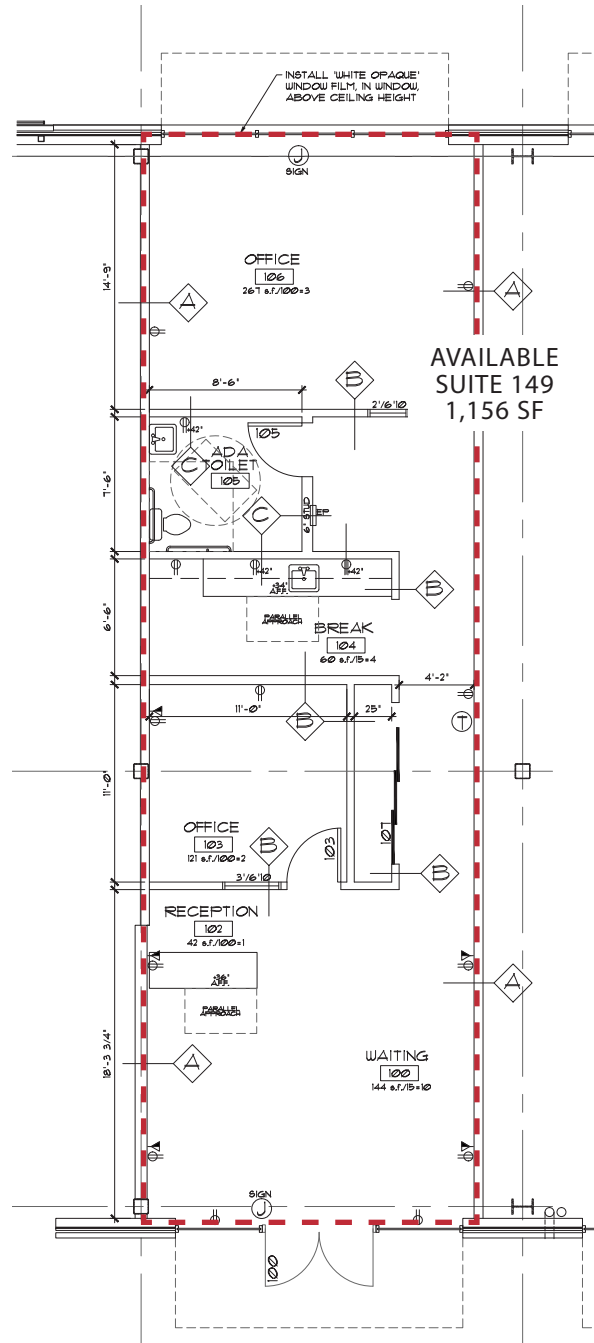
KRUSE VILLAGE

4811-4871 MEADOWS ROAD, LAKE OSWEGO, OR



LEASING PLAN

RETAIL/OFFICE
SUITE 149
1,156 SF AVAILABLE



George Macoubray
503 504 2957
gmacoubray@naielliott.com

Nick Stanton
503 784 0407
nstanton@naielliott.com

Emmy Johnston
503 867 4861
ejohnston@naielliott.com



Bob LeFeber
503 274 0211
bob@cra-nw.com

KRUSE VILLAGE

4811-4871 MEADOWS ROAD, LAKE OSWEGO, OR



TRADE AREA AERIAL



George Macoubray
503 504 2957
gmacoubray@naielliott.com

Nick Stanton
503 784 0407
nstanton@naielliott.com

Emmy Johnston
503 867 4861
ejohnston@naielliott.com



Bob LeFeber
503 274 0211
bob@cra-nw.com

The information herein has been obtained from sources we deem reliable. We do not, however, guarantee its accuracy. All information should be verified prior to purchase/leasing. View the Real Estate Agency Pamphlet by visiting our website, www.naielliott.com/agencydisclosures.